

The Falcon-3 is a rugged small form factor (SFF) conduction cooled computer system, specifically tailored for the avionic, military and rugged industrial market. The system offers the best utilization of size, weight and power (SWaP) in the industry and strictly adheres to commercial Off the Shelf (COTS) standards in the industry. Though its small insize, its feature rich & best in class embedded computer.

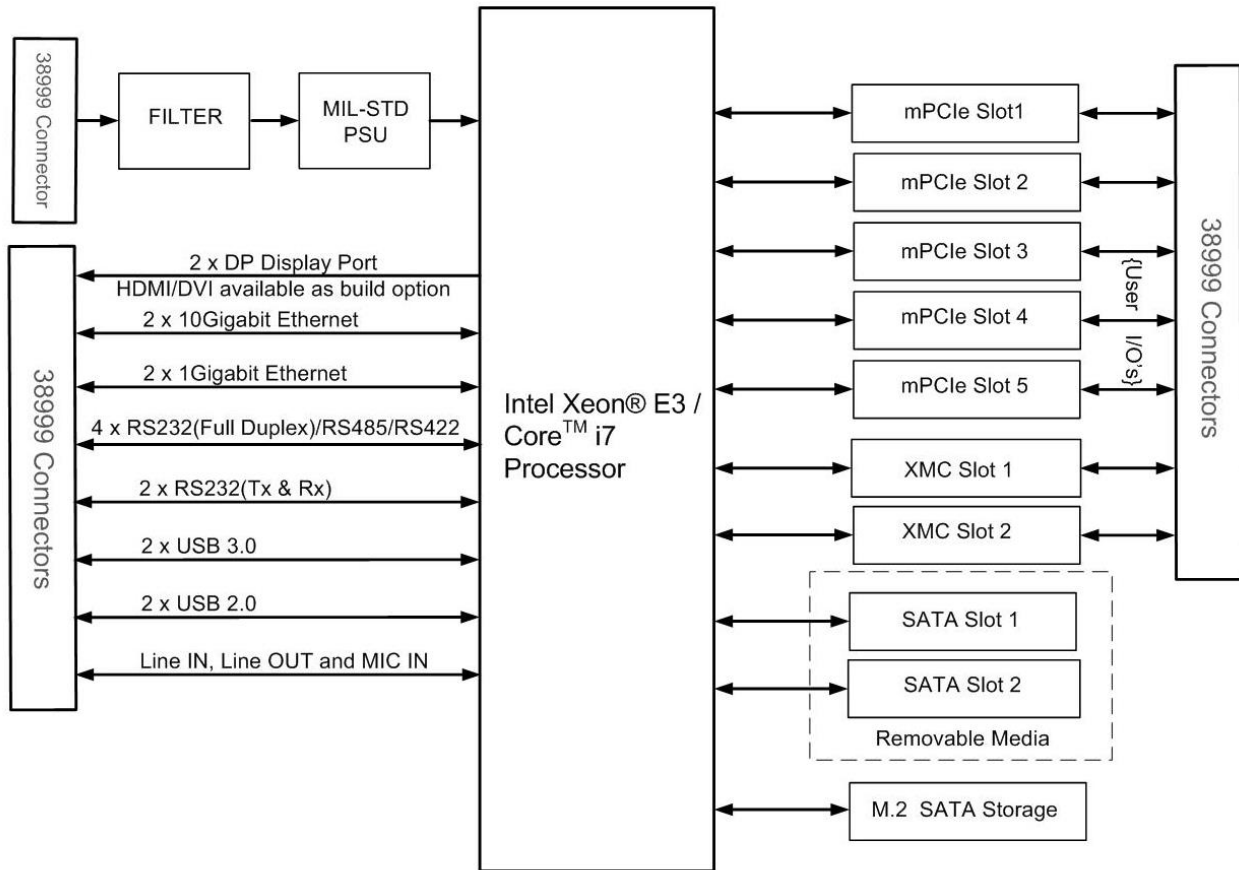
The Versatile Falcon-3 is configured with the latest high-performance Intel Core™ i7 or Xeon® CPU and can be expanded for variety of Interfaces (via XMC & miniPCIe mezzanine cards). Falcon-3 is best SWaP optimized, low power, System on Chip (SOC) processors.

The Falcon-3 can support variety I/O typically needed in the targeted applications, including GPGPU (nVIDIA or AMD), MIL-STD-1553B, ARINC-429, RS-232/422/485, Fibre Channel, GigE and Analog and Discrete signals, and FPGAs. The I/O can be expanded by XMC or MiniPCIe IO modules, including Acromag's® revolutionary "Plug and Play" Acropack. There are additional options for Inertial Measurement and Navigation, GPS, Wi-Fi and Cellular Modem functions as well.

## FEATURES

- **CPU:** Intel Xeon® E-2276ML or Core™ i7-9850HL Processor
- **Memory:** up to 64 GB DDR4 RAM
- **Storage:** up to 1920GB through M.2 (SATA)
- Integrated Intel UHD Graphics Controller
- **Video Outputs:** 2 x Display Ports
- **I/O's (Standard):**
  - ✓ 2 x 10G Copper (Optional)
  - ✓ 2 x Gigabit Ethernet
  - ✓ 2 x USB 3.0, 2 x USB 2.0
  - ✓ 4 x RS232 / 422 / 485
  - ✓ 1x Audio IN & 1x Audio OUT
  - ✓ 8 x GPIOs
- **I/O's Expansion:**
  - ✓ 2 x XMC Sites (Gen 3 PCIe)
  - ✓ 5 x MiniPCIe / AcroPack Sites (Gen 3 PCIe)
- **Removable Storage:** 2x 2.5" SSD – SATA III Drive
- **Security:** TPM 2.0 (optional)
- **Dimensions:** 300x115x270mm
- **Weight:** 7.5±0.3 kg without XMC
- **Connectors:** MIL-Circular
- **Health Monitor:** System Health Monitor & Control (Optional)
- **Power:** 28 VDC @ 35 W - 85 Watts (Configuration Dependent)
- **Operating Temp:** -40°C to +55 °C, up to +71°C (Depending on Thermal Load)
- **Storage Temp:** -40°C to +85 °C
- **Environmental:** MIL-STD-461G, MIL-STD-704F/MIL-STD-1275E and MIL- STD-810H
- **Cooling:** Fanless Conduction Cooled
- **Operating System Support:** Windows & Linux





### Dimension in mm

